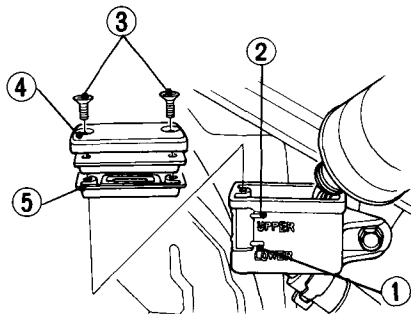


Reinstall the diaphragm and cover. Tighten the screws securely.



- (1) LOWER level mark (4) Reservoir cover
(2) UPPER level mark (5) Diaphragm
(3) Screws

CAUTION:

- * Handle brake fluid with care because it can damage plastic and painted surfaces.
- * When adding brake fluid, be sure the reservoir is horizontal before the cap is removed or brake fluid may spill out.
- * Use only DOT 4 brake fluid from a sealed container.
- * Never allow contaminants such as dirt or water to enter the brake fluid reservoir.

Other Checks:

Make sure there are no fluid leaks. Check for deterioration or cracks in the hoses and fittings.