

SEAT

The seat lock and helmet holder are combined.

To unlock:

1. Insert the ignition key into the lock and turn it clockwise to unlock the helmet holder.
2. Pull the seat lock lever downward and lift it up to remove the seat.

To lock:

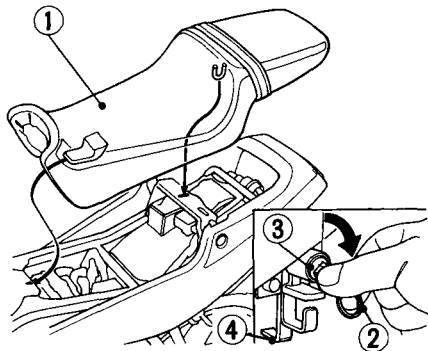
1. Insert the front prong of the seat into the frame under the fuel tank rear mount.
2. Press down on the rear of the seat to lock the seat. Confirm that locking is properly completed by lifting up on the seat after using the helmet holder.
3. Remove the ignition key from the lock.

CAUTION:

- * Be sure to securely lock the seat after installing it.

⚠ WARNING

- * Do not place rags or shop towel under the seat. They may catch fire due to heat from the engine.



- (1) Seat
(2) Ignition key

- (3) Helmet holder
(4) Seat lock lever