

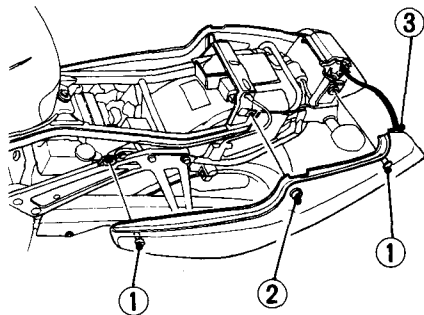
SIDE COVER

To remove:

1. Remove the seat (page 38).
2. Remove the screw (2).
3. Pry the cover out toward you to release the retaining tabs (1) and (3), and disconnect it from the end of the taillight cowl by sliding it backward.

To install:

1. Reverse the removal procedure.



(1) Retaining tab
(2) Screw

(3) End of upper cowl