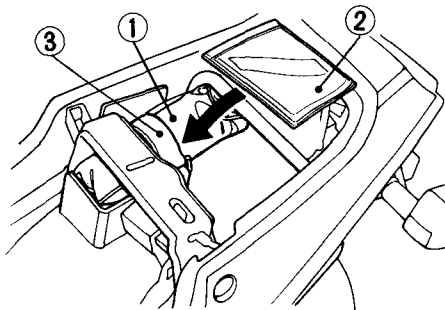


TOOL KIT

The tool kit is in the tool compartment under the seat. Some roadside repairs, minor adjustments and parts replacement can be performed with the tools contained in the kit. Be sure to secure the tool kit with the band after storing it in the tool compartment.

- 8 mm open end wrench
- 10 x 12 mm open end wrench
- 14 x 17 mm open end wrench
- 24 mm box end wrench
- Spark plug wrench
- Screwdriver handle
- Pliers
- Tool bag



(1) Tool kit
(2) Document bag

(3) Band