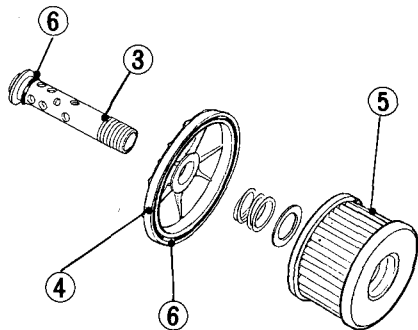


2. Remove the oil filter bolt (3) and cover (4).
3. Remove the oil filter element (5) from the cover.
4. Insert a new oil filter element. Check that the O-rings (6) are in good condition.
5. Install all parts as shown below. Install the oil filter cover and tighten the oil filter bolt.

Oil Filter Bolt Torque:

18 N·m (1.8 kg-m, 13 ft-lb)



(3) Oil filter bolt
(4) Oil filter cover

(5) Oil filter element
(6) O-rings

6. Check that the sealing washer (2) on the drain plug is in good condition and install the plug.

Oil Drain Plug Torque:

38 N·m (3.8 kg-m, 27 ft-lb)

7. Fill the crankcase with the recommended grade oil; approximately:
2.0 l (2.1 US qt, 1.8 Imp qt)
8. Install the oil filler cap.
9. Start the engine and let it idle for 2–3 minutes.
10. Stop the engine and check that the oil level is at the upper level mark on the dipstick with the motorcycle upright on level ground. Make sure there are no oil leaks.

NOTE:

- * When running in very dusty conditions, oil changes should be performed more frequently than specified in the maintenance schedule.