

SPARK PLUGS

(Refer to maintenance precautions on page 55).

Recommended plugs:

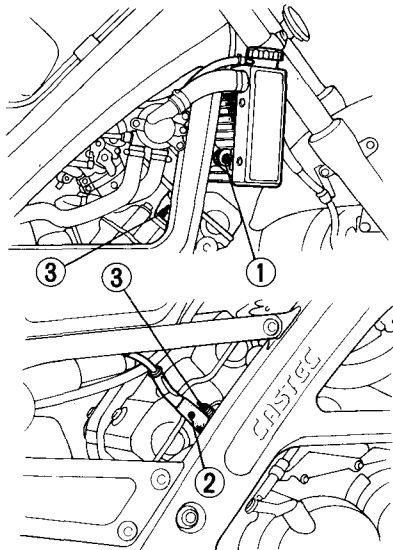
Standard:

CR8EH-9 (NGK) or U24FER-9 (ND)

For extended high speed riding:

CR9EH-9 (NGK) or U27FER-9 (ND)

1. Remove the radiator mounting bolts (1).
2. Raise the radiator and disconnect the spark plug cap (2) from the spark plug (3). (The front cylinder)
3. Remove the seat. (See page 38)
4. Disconnect the spark plug cap from the spark plug. (The rear cylinder)
5. Clean any dirt from around the spark plug bases. Remove the spark plugs using the plug wrench furnished in the tool kit.



- (1) Radiator mounting bolts
- (2) Spark plug cap
- (3) Spark plug