

SEAT

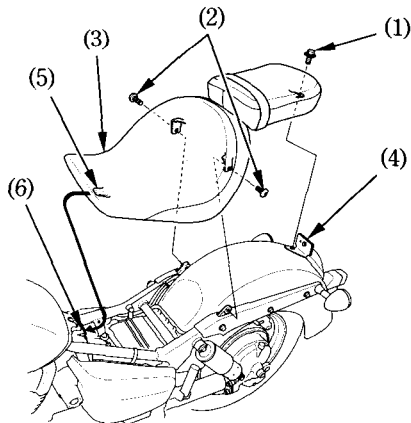
The seat must be removed for battery maintenance and to access the owner's manual.

Removal:

1. Remove the bolt A (1) and bolts B (2).
2. Pull the seat assembly (3) back and up, making sure that the reflector (4) is firmly fixed to the rear fender.

Installation:

1. Insert the seat tab (5) into the recess (6) under the frame.
2. Check that the reflector is fixed to the rear fender, and then install and tighten the bolt A and bolts B securely.



- (1) Bolt A
(2) Bolts B
(3) Seat assembly

- (4) Reflector
(5) Seat tab
(6) Recess