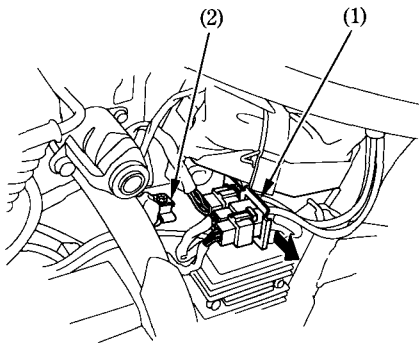


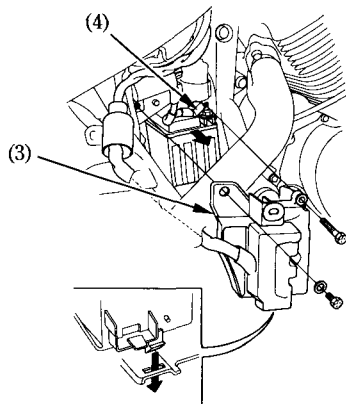
Battery Removal:

1. Remove the left side cover (page 34).
2. Remove the coupler holder (1).
3. Disconnect the negative (-) terminal lead (2) from the battery first.
4. Remove the right side cover (page 34).



- (1) Coupler holder
(2) Negative (-) terminal lead

5. Remove the battery cover (3) by removing the bolts.
6. Disconnect the positive (+) terminal lead (4).
7. Pull out the battery from the battery box.



- (3) Battery cover
(4) Positive (+) terminal lead