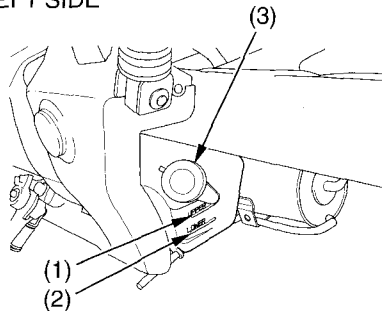


Increasing the concentration of antifreeze is not recommended because it decreases cooling system performance. Higher concentrations of antifreeze (up to 60%) should only be used to provide additional protection against freezing. Check the cooling system frequently during freezing weather.

Checking & Adding Coolant

Refer to *Safety Precautions* on page 54.

LEFT SIDE



- (1) UPPER level mark
- (2) LOWER level mark
- (3) reserve tank cap

(cont'd)