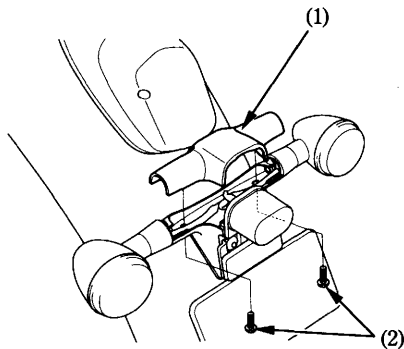


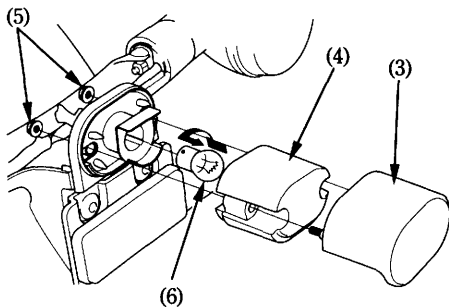
License Light Bulb

1. Remove the cover (1) by removing the two screws (2).
2. Remove the license light cover (3) and license light lens (4) by removing the two nuts (5).



- (1) Cover
(2) Screws

3. Slightly press the bulb (6) and turn it counterclockwise.
4. Install a new bulb in the reverse order of removal.



- (3) License light cover (5) Nuts
(4) License light lens (6) Bulb