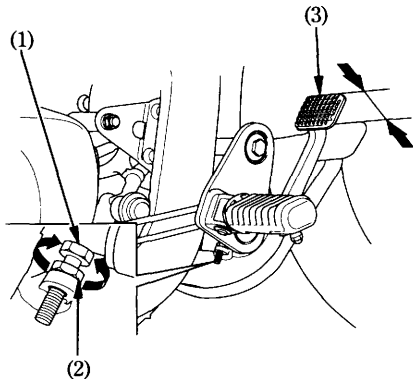


Rear Brake

Pedal Height Adjustment:

The stopper bolt (1) is provided to allow adjustment of the pedal height. To adjust the pedal height, loosen the lock nut (2) and turn the stopper bolt. Tighten the lock nut.



(1) Stopper bolt

(3) Rear brake pedal

(2) Lock nut

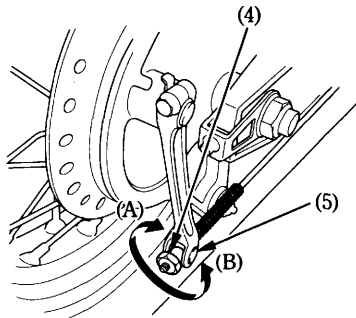
Brake Adjustment:

1. Place the motorcycle on its side stand.
2. Measure the distance the rear brake pedal (3) moves before the brake starts to take hold.

Free play should be:

20–30 mm (0.8–1.2 in)

If adjustment is necessary, turn the rear brake adjusting nut (4).



(4) Adjusting nut

(A) Decrease free play

(5) Arm pin

(B) Increase free play