

AIR CLEANER

(Refer to the maintenance precautions on page 54).

The air cleaner should be serviced at regular intervals (page 48). Service more frequently when riding in unusually wet or dusty areas.

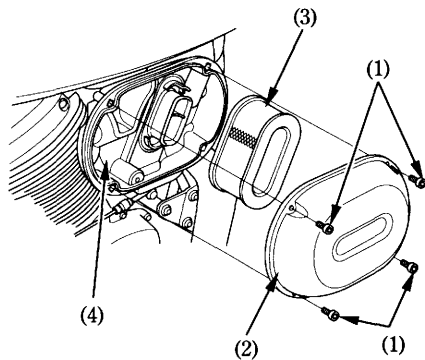
1. Remove the bolts (1) and the air cleaner housing cover (2).
2. Pull out the air cleaner (3).

Thoroughly clean the inside of the air cleaner case (4).

3. Discard the air cleaner (3).
4. Install the new air cleaner.

Use the Honda genuine air cleaner or an equivalent air cleaner specified for your model. Using the wrong Honda air cleaner or a non-Honda air cleaner which is not of equivalent quality may cause premature engine wear or performance problems.

5. Install the removed parts in the reverse order of removal.



- (1) Bolts
- (2) Air cleaner housing cover
- (3) Air cleaner
- (4) Air cleaner case