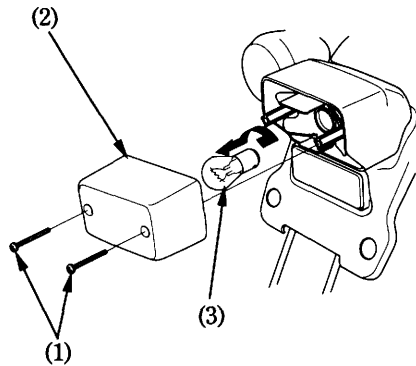


Stop/Taillight Bulb

1. Remove the two screws (1).
2. Remove the taillight lens (2).
3. Slightly press the bulb (3) and turn it counterclockwise.
4. Install a new bulb in the reverse order of removal.



- (1) Screws
- (2) Taillight lens
- (3) Bulb