

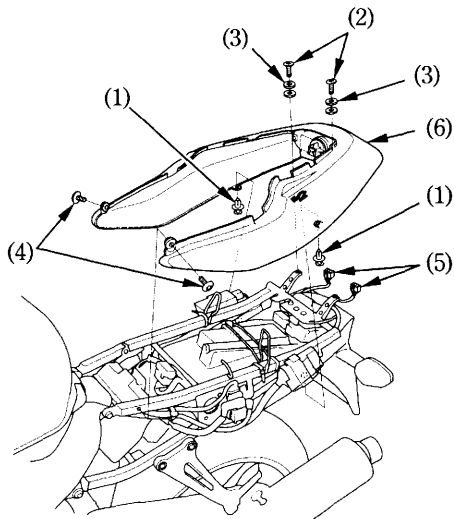
REAR COWL

Removal:

1. Remove the seat (page 52).
2. Remove the clips (1).
3. Remove the screws (2), washers (3) and bolts (4).
4. Disconnect the brake/taillight connectors (5).
5. Remove the rear cowl (6).

Installation:

- Installation can be done in the reverse order of removal.



- | | |
|-------------|--------------------------------|
| (1) Clips | (4) Bolts |
| (2) Screws | (5) Brake/taillight connectors |
| (3) Washers | (6) Rear cowl |