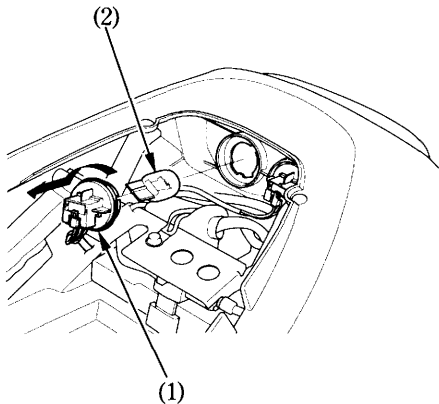


Stop/Taillight Bulb

1. Remove the seat (page 40).
2. Turn the socket (1) 90° counterclockwise, then pull it out toward you.
3. Pull out the bulb (2) without turning.
4. Install a new bulb in the reverse order of removal.



(1) Socket (2) Bulb