

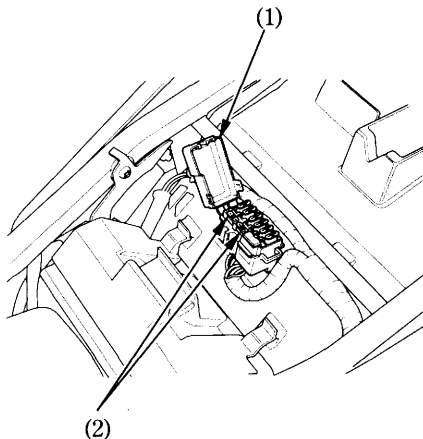
Fuse box:

The fuse box is located under the seat.

The specified fuses are:

10 A, 20 A

1. Remove the seat (page 40).
2. Open the fuse box cover (1).
3. Pull out the old fuse and install a new fuse.
The spare fuses (2) are located in the fuse box.
4. Close the fuse box cover and install the seat.



(1) Fuse box cover

(2) Spare fuses