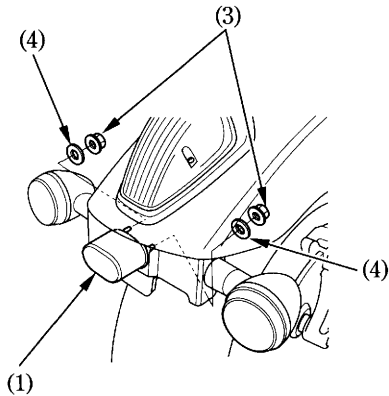


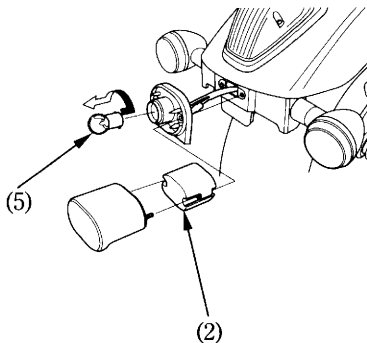
License Light Bulb

1. Remove the license light cover (1) and license light lens (2) by removing the two nuts (3) and washers (4).



- (1) License light cover (4) Washers
(3) Nuts

2. Slightly press the bulb (5) and turn it counterclockwise.
3. Install a new bulb in the reverse order of removal.



- (2) License light lens
(5) Bulb