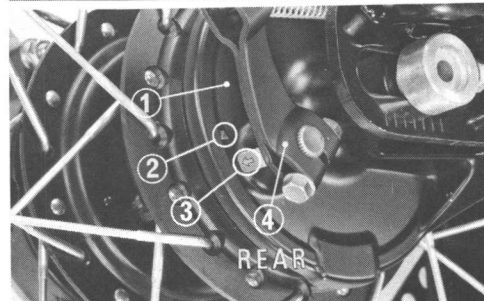
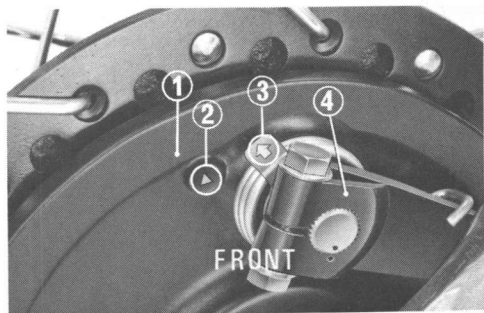


Brake Wear Indicator

The front and rear brakes are equipped with brake wear indicators.

As the brake is applied, an arrow (3) attached to the brake arm (4) moves toward a reference mark (2) on the brake panel (1).

If the arrow aligns with the reference mark on full application of the brake, the brake shoes must be replaced.



- (1) Brake panel (3) Arrow
(2) Reference mark (4) Brake arm