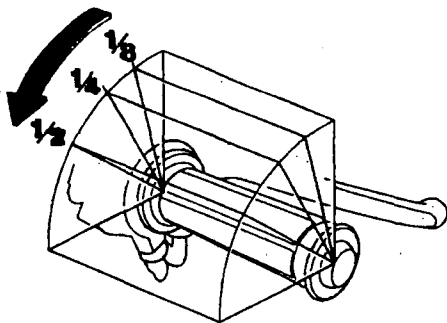


Starting the Engine

When engine is hot:

1. Release the Steering Lock.
2. Set the engine stop switch to RUN position.
3. Turn the fuel selector valve to ON position.
4. Turn the Ignition to the ON position.
5. Ensure the Motorcycle Transmission is in the Neutral Position (Neutral Lamp should be on.)
6. Do not operate the Throttle while engaging the Starter Motor. If the engine fails to start after few cranks, proceed to 7.
7. Open throttle approximately $1/8$ turn and engage the starter.
8. Ensure that the side stand is retracted prior to starting the engine or riding away.



- If the engine does not start, refer to troubleshooting in back of this manual.