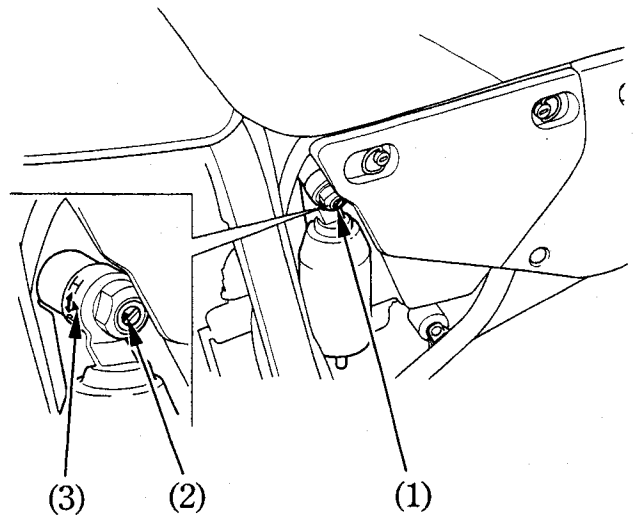


Compression Damping:

The compression damping adjuster has at least 14 positions. Turning the adjuster one full turn advances the adjuster 6 positions.

To adjust to the standard position:

1. Turn the damping adjuster (1) counter-clockwise until it will no longer turn (lightly seats). This is the full soft setting.
2. Turn the adjuster clockwise 12 clicks until the punch mark (2) on the adjuster aligns with the reference mark (3). This is the standard position.



- (1) Damping adjuster
- (2) Punch mark
- (3) Reference mark