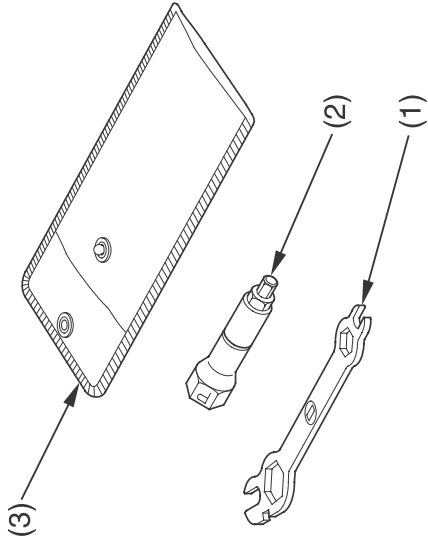




# Tools

Refer to *Safety Precautions* on page 45 .



- (1) multi-purpose wrench
- (2) plug wrench
- (3) tool bag

The multi-purpose wrench ( 1 ) in the tool bag ( 3 ) delivered with your motorcycle can be used to remove the spark plug. Some repairs, adjustments, and part replacements may be performed with this tool.

You will need to provide your own tools to perform other owner maintenance.

