

## Throttle

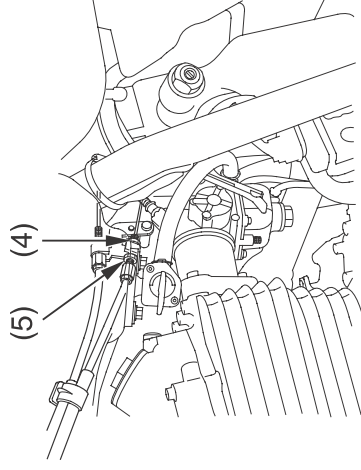
4. Tighten the lock nut. Return the dust cover to its normal position.
5. After adjustment, check for smooth rotation of the throttle grip from fully closed to fully open in all steering positions.

### Lower Adjuster

The lower adjuster is used for major freeplay adjustment, such as after replacing the throttle cables or removing the carburetor. It is also used if you can not get the proper adjustment with the upper adjuster.



LEFT SIDE



(4) lower lock nut  
(5) lower adjuster

1. Loosen the lower lock nut (4) on the cable.
2. Turn the lower adjuster (5).
3. Tighten the lock nut on the adjuster.

If you can't get the freeplay within the specified range, contact your Honda dealer.

