

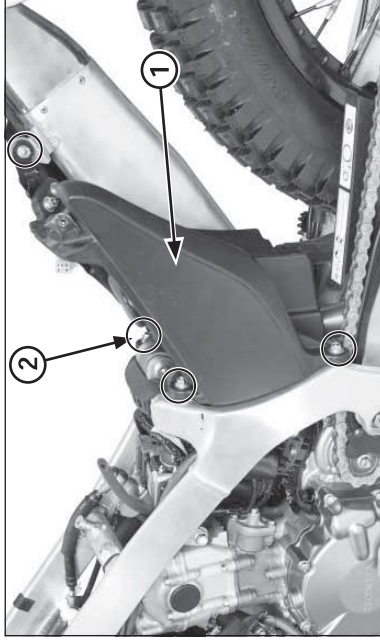
(1) THROTTLE BODY  
(2) BAND SCREW  
(3) 32P (BLACK) CONNECTOR

Install the throttle body together with insulator at cylinder head inlet port.  
Make sure there are following clearance between the throttle body:

- Throttle body-to-bank angle sensor: more than 5 mm
- Throttle body-to-silencer: more than 5 mm

Adjust the insulator band angle, tighten the band screw securely.

Connect the ECM 32P (Black) connector.



(1) AIR CLEANER HOUSING  
(2) BOLTS/NUTS

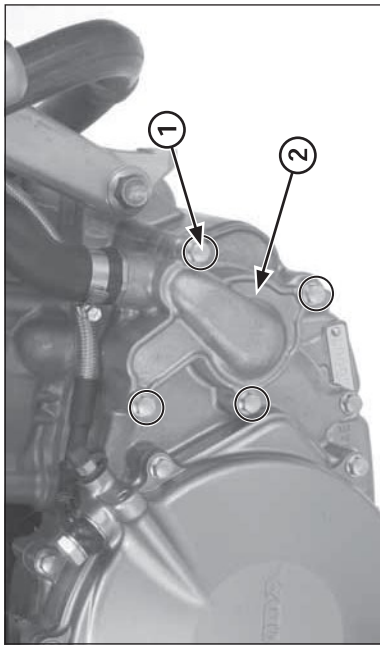
Install the air cleaner housing onto the frame and connect the crankcase breather hose.

Install and tighten the air cleaner housing mounting nuts and bolt securely.

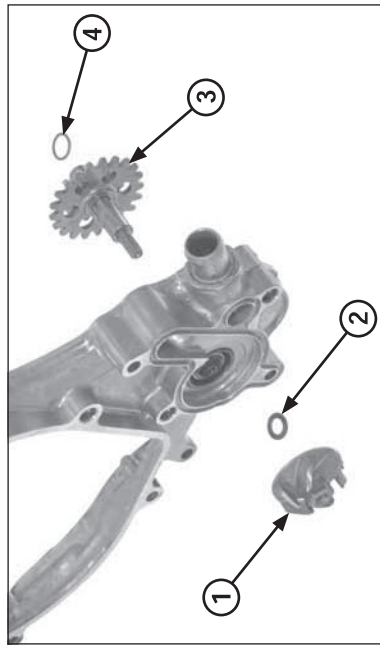
Install the washer and silencer mounting bolt, then tighten the bolt securely.

Adjust the angle of the connector tube clamp and tighten the screw firmly.

Install the rear fender.



(1) BOLTS  
(2) WATER PUMP COVER



(1) IMPELLER  
(2) COPPER WASHER  
(3) WATER PUMP SHAFT  
(4) WASHER

## Water Seal And Bearing Replacement

Drain the transmission oil (page 3-8).

Remove the following:

- Water pump cover bolt/cover/dowel pins/O-ring
- Right crankcase cover and washer (page 4-40)

Hold the water pump gear teeth using a suitable tool, then remove the impeller, copper washer and water pump shaft.