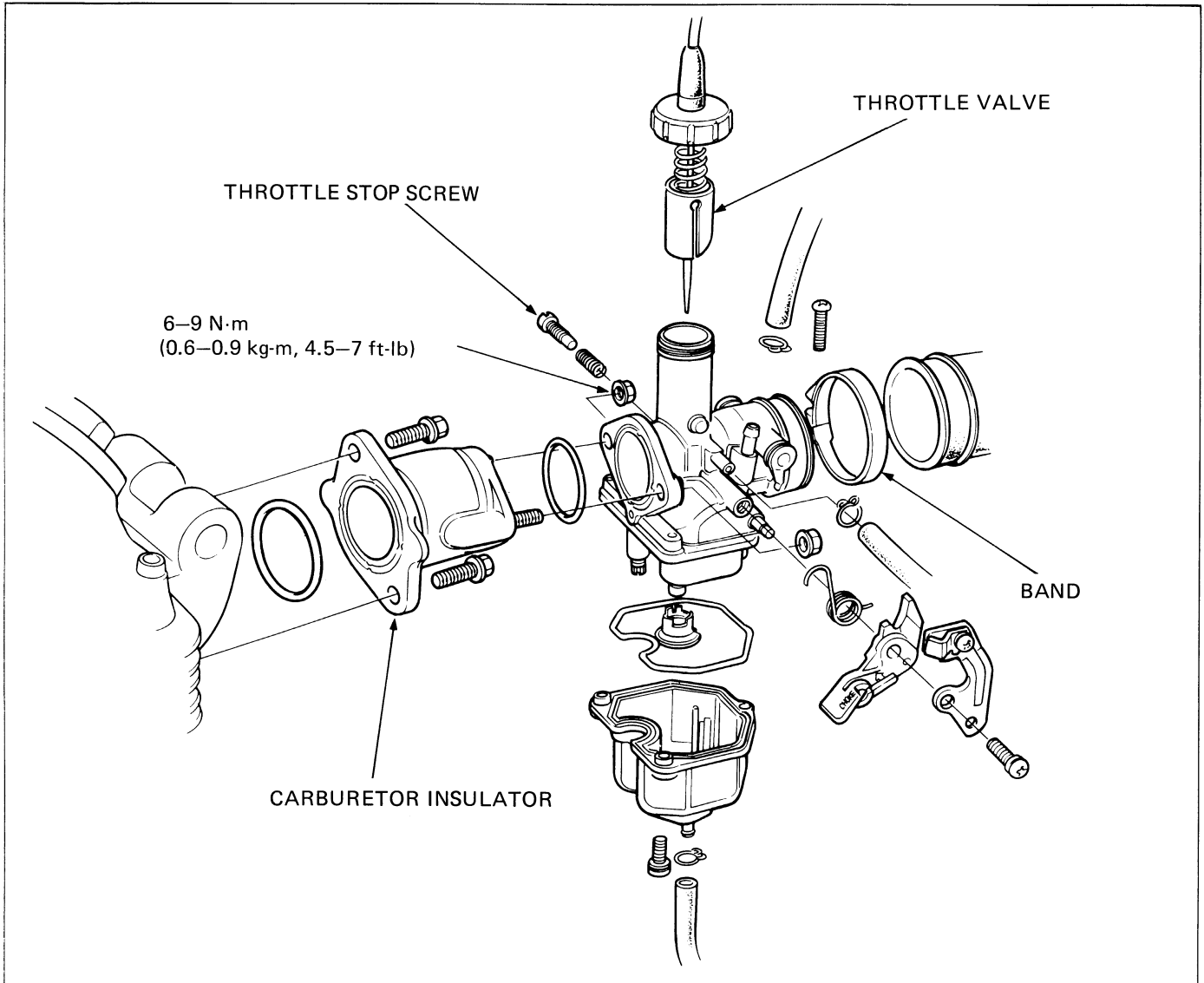


CARBURETOR REMOVAL



Remove the seat.
Turn the fuel valve OFF and disconnect the fuel line.

Remove the fuel tank.
Loosen the carburetor drain screw and drain the gasoline.

Unscrew the carburetor top and pull the throttle valve out.

Loosen the screw securing the carburetor band with a screw driver through the hole in the frame.

