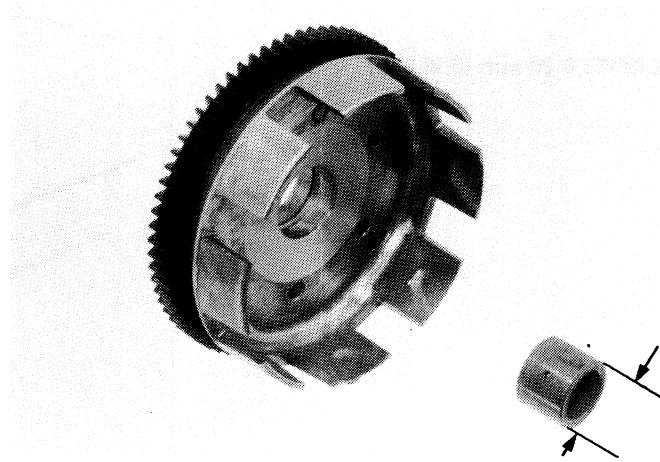


INSPECTION

Check the slots of the clutch outer for nicks, cuts or indentations made by the clutch discs. Replace if necessary.

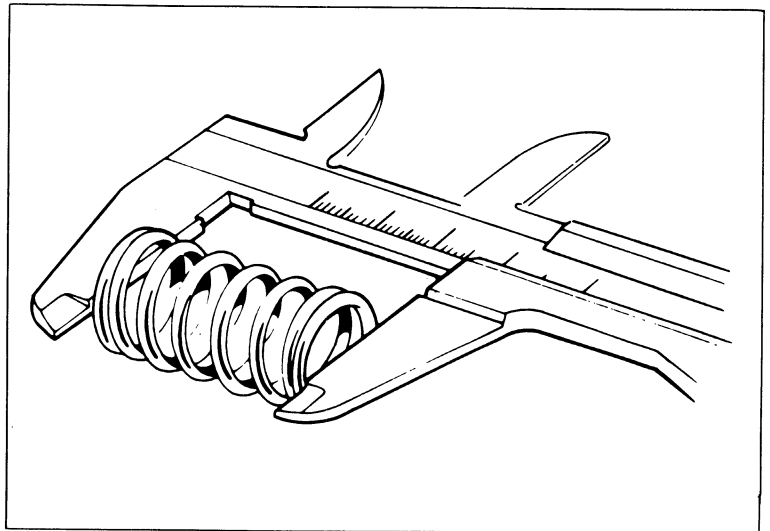
Measure the O.D. of the clutch outer guide.

SERVICE LIMIT: 19.95 mm (0.785 in)



Measure the spring free length.

SERVICE LIMIT: 25.0 mm (0.98 in)



Replace the clutch discs if they show signs of scoring or discoloration.

Measure the disc thickness.

SERVICE LIMIT: 2.6 mm (0.10 in)

