

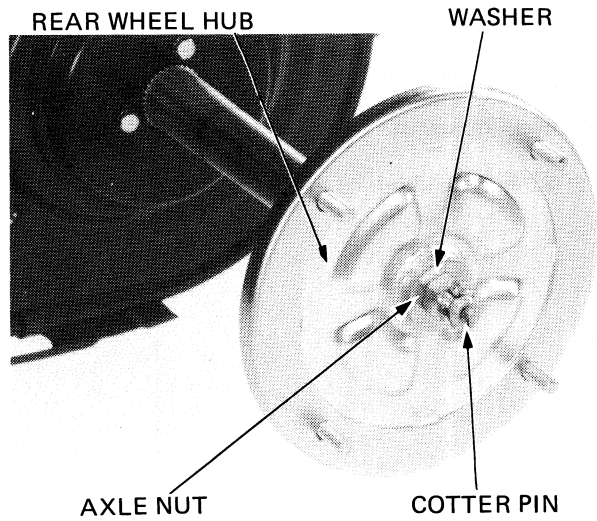
REAR WHEEL/BRAKE/DRIVE MECHANISM

REAR AXLE/FINAL DRIVEN SPROCKET

AXLE REMOVAL

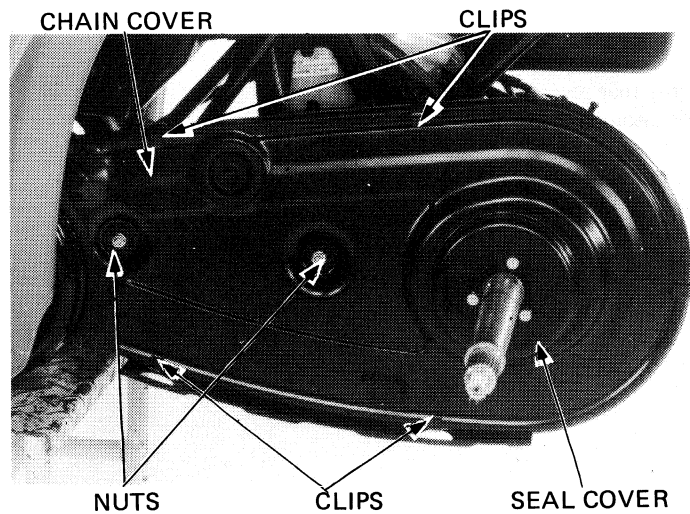
Remove the rear wheel (Page 12-3).

Remove the cotter pins and axle nuts.
Remove the washers and rear wheel hubs.



Remove the three seal cover bolts and the seal cover.
Remove the two chain cover mounting nuts.

Pull off the five chain cover clips and remove the chain cover.



Loosen the rear brake adjusting nuts.

Loosen the drive chain adjusting nut and bearing holder mounting bolts.

