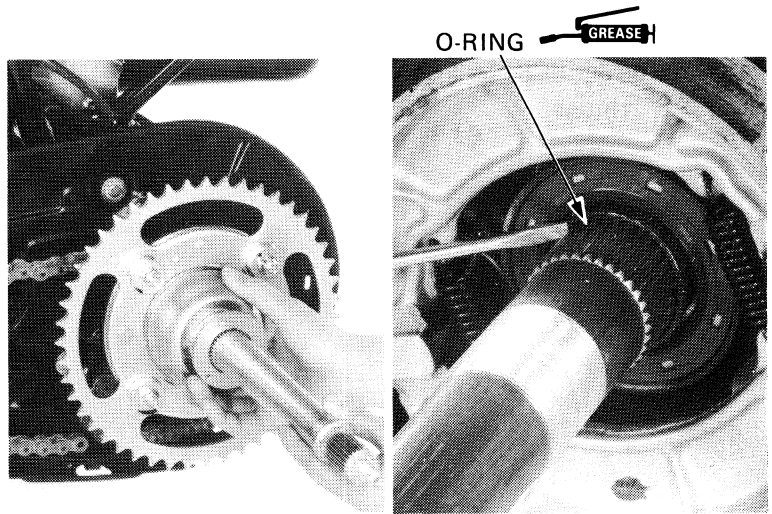
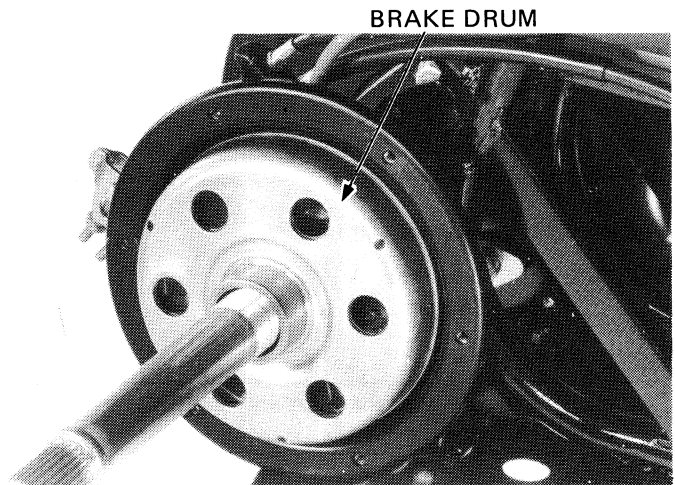


### AXLE INSTALLATION

Insert the axle into the bearing holder from the left side.  
Apply grease to the new O-ring.  
Install the O-ring over the axle.



Install the brake drum.



Make sure that the dust seal on the brake drum cover is in good condition.  
Replace the dust seal with a new one, if necessary.  
Apply grease to the lip of the dust seal.

