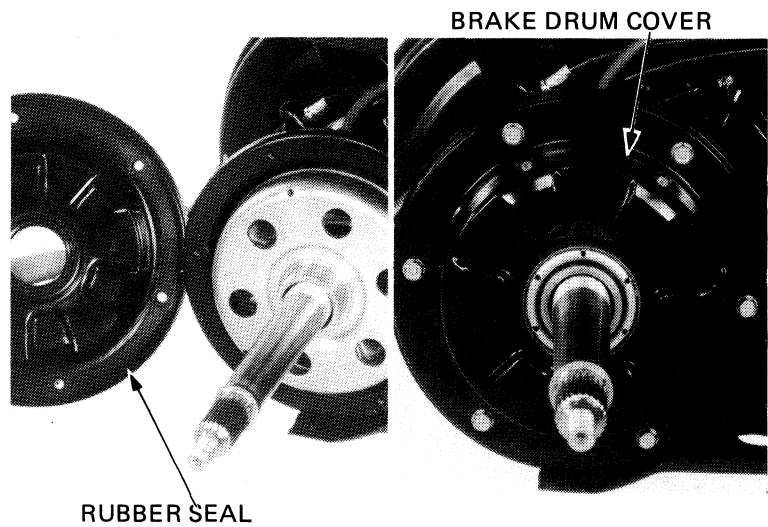


REAR WHEEL/BRAKE/DRIVE MECHANISM

Install the rubber seal onto the brake drum cover.

Install the brake drum cover using the six bolts.



Tighten the brake drum inner nut.

TORQUE: 35–45 N·m
(3.5–4.5 kg·m, 25–33 ft·lb)

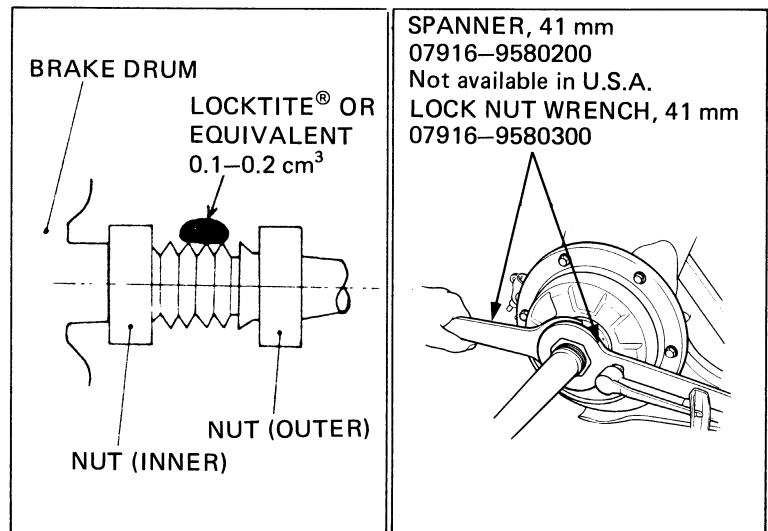
Apply LOCKTITE® or equivalent to the shaft threads.

Tighten the brake drum outer nut.

TORQUE: 120–140 N·m
(12–14 kg·m, 87–101 ft·lb)

NOTE

Wipe grease off the shaft before applying LOCKTITE® or equivalent.



Install and connect the drive chain with the master link.

Install the master link clip in the direction shown.

