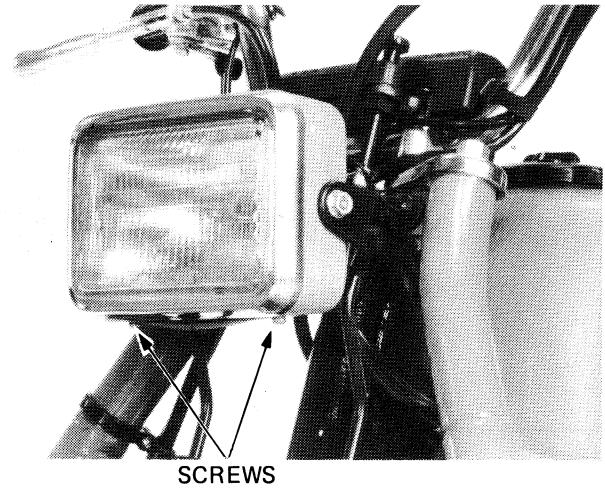


LIGHTS/SWITCHES

HEADLIGHT

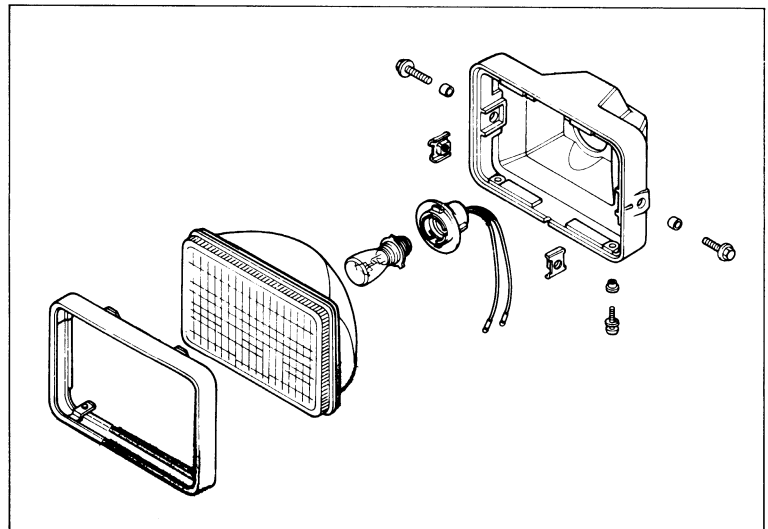
REMOVAL

Remove the two headlight mounting screws.
Disconnect the headlight wires and remove the headlight.



DISASSEMBLY/ASSEMBLY

Remove the two retaining springs and remove the headlight unit from the rim.
Assembly is the reverse of disassembly.



CASE REMOVAL/INSTALLATION

Remove the headlight.
Remove the two case mounting bolts and the headlight case.
Installation is the reverse of removal.

