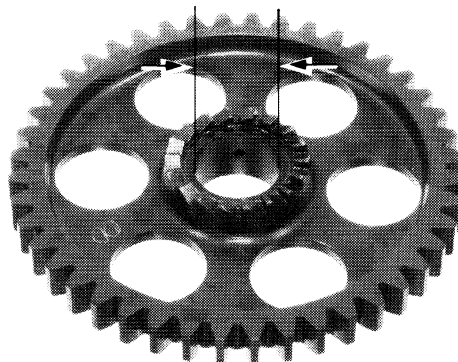


CLUTCH/GEARSHIFT LINKAGE/KICK STARTER

Measure the kick starter pinion gear I.D.

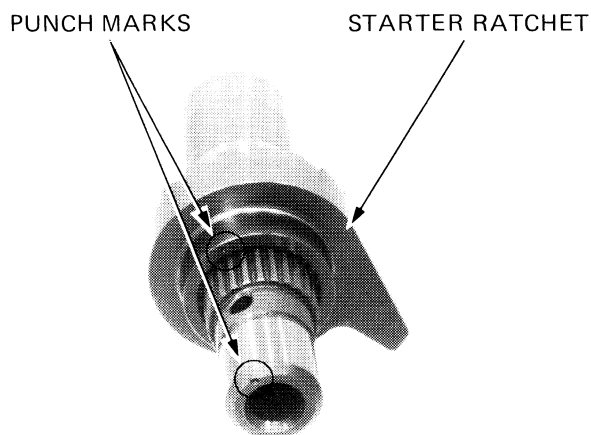
SERVICE LIMIT: 22.06 mm (0.869 in)

Check the ratchet teeth on the pinion for wear or damage.



INSTALLATION

Install the thrust washer and snap ring.
Install the starter ratchet on the spindle aligning the punch marks on the spindle and ratchet.



Install the return spring onto the starter spindle and insert the spring end into the hole in the spindle. Install the spring collar aligning the slit with the spring end.

