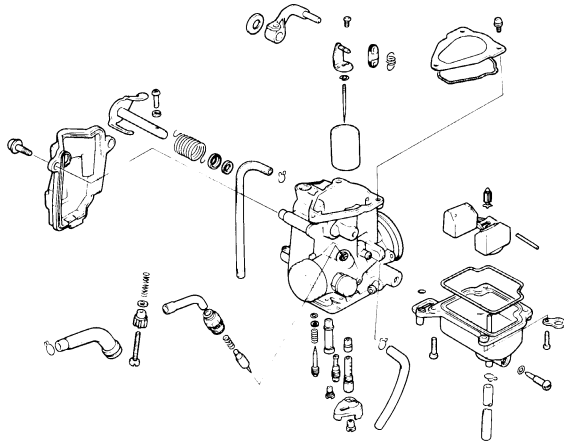
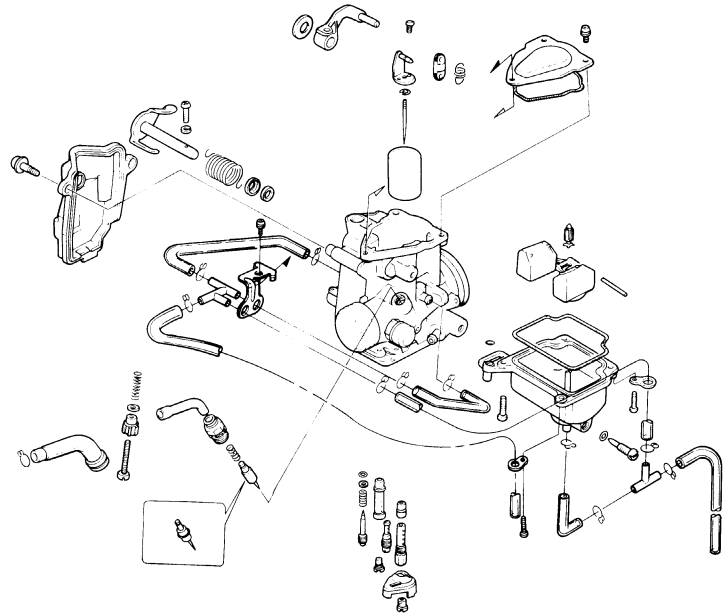


# CARBURETOR REMOVAL

'85



After '85



Remove the seat and fuel tank.  
Loosen the air cleaner connecting tube bands.  
Remove the carburetor from the right side.

CARBURETOR



AIR CLEANER CONNECTING  
TUBE BANDS