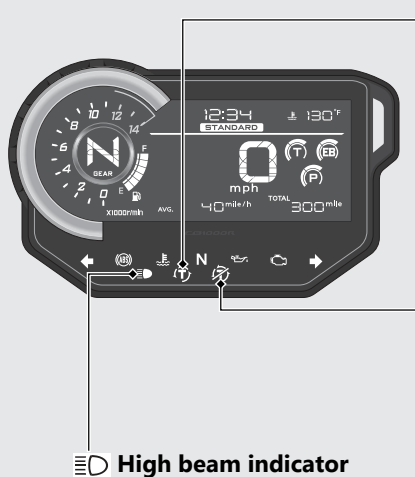


Indicators

If one of these indicators does not come on when it should, have your dealer check for problems.



Torque Control indicator

- Comes on when the ignition switch is turned to the ON position. Goes off when your speed reaches approximately 3 mph (5 km/h) to indicate Torque Control is ready to work.
- Blinks when Torque Control is operating.

If it comes on while riding:  **P.126**

Torque Control OFF indicator

Comes on when the Torque Control is turned off.