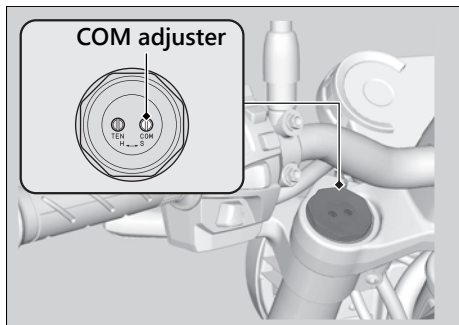


## Compression Damping

You can adjust the compression damping by the COM adjuster to suit the load or the road surface.

The COM adjuster has 7 turns from the full hard position.

Turn clockwise to increase compression damping (hard), or turn counterclockwise to decrease compression damping (soft). The standard position is 5 3/4 turns from the full hard position.



### NOTICE

Do not turn the adjuster beyond its limits.