

## Engine Oil & Filter

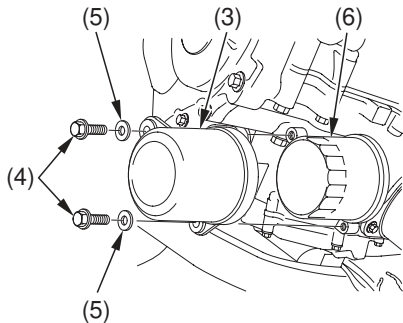
### *Install a New Oil Filter:*

- Remove the oil filter guard (3) by removing the bolts (4) and washers (5).
- Remove the oil filter (6) with a filter wrench and let the remaining oil drain out. Discard the oil filter in an approved manner (page 176).
- Pour the drained oil into a suitable container and dispose of it in an approved manner (page 176).

### **NOTICE**

*Improper disposal of drained fluids is harmful to the environment.*

### RIGHT SIDE



(3) oil filter guard

(4) bolts

(5) washers

(6) oil filter