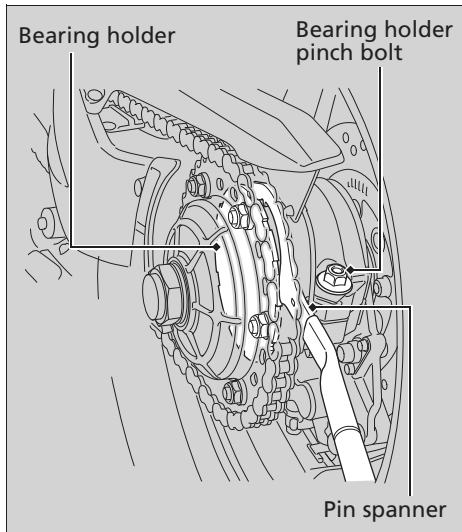


6. Check drive chain slack. [P. 74](#)



Checking the Drive Chain Wear

Check the chain wear label when adjusting the drive chain. If the red zone on the label aligns with the index mark after the chain has been adjusted to the proper slack, the chain is excessively worn and must be replaced.

Chain: DID 50VA8

If necessary have the drive chain replaced by your dealer.

