

## Fuel Tank Maintenance Position

---

The front of the fuel tank can be tilted up for maintenance.

The fuel tank does not require draining.

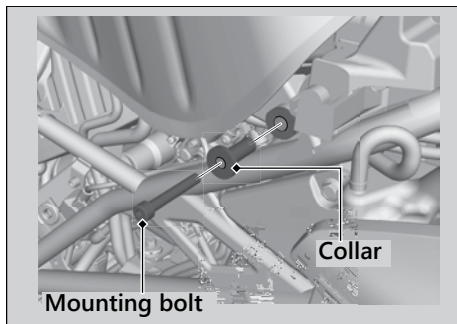
### ■ Raising The Fuel Tank

1. Place the motorcycle on its side stand on a firm, level surface with the transmission in neutral and turn the ignition switch to the OFF position.

Check that the fuel fill cap is closed.

2. Settle the handlebar straight ahead.
3. Remove the fuel tank cover assembly.  
► P. 77

4. Remove the mounting bolts and collars on both sides.



5. Raise the front of the fuel tank.