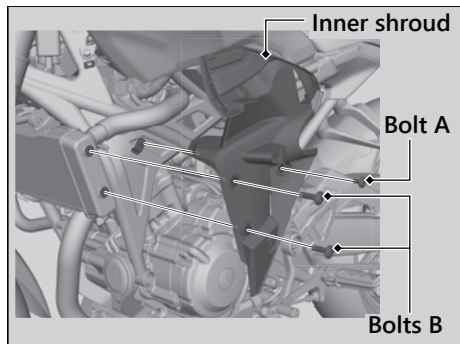


3. Remove the inner shroud bolt A, bolts B and inner shroud.



Installation

1. Install the inner shroud and tighten the inner shroud bolts B.

Torque: 7 lbf-ft (10 N·m, 1.0 kgf-m)

2. Install and tighten the inner shroud bolt A.

Torque: 3.1 lbf-ft (4.2 N·m, 0.4 kgf-m)

3. Install the outer shroud by inserting its tab into the slot on the inner shroud.
4. Install and tighten the outer shroud bolt.

Torque: 3.1 lbf-ft (4.2 N·m, 0.4 kgf-m)

5. Install the clip.