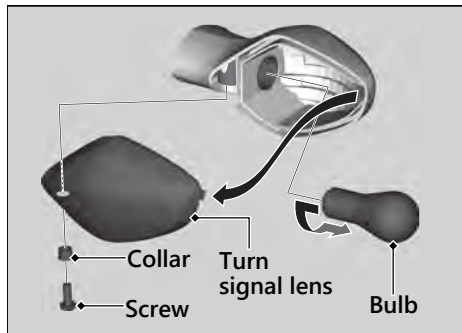


## Front/Rear Turn Signal Bulb

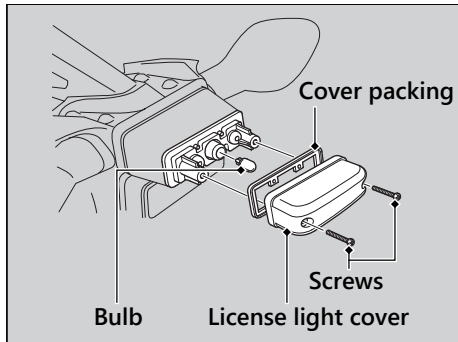
1. Remove the screw and collar.
2. Remove the turn signal lens.
3. Slightly press the bulb and turn it counterclockwise.



4. Install a new bulb and reinstall the parts in the reverse order of removal.

## License Plate Light Bulb

1. Remove the screws, license light cover and license light cover packing.
2. Pull out the bulb without turning.



3. Install a new bulb and reinstall the parts in the reverse order of removal.