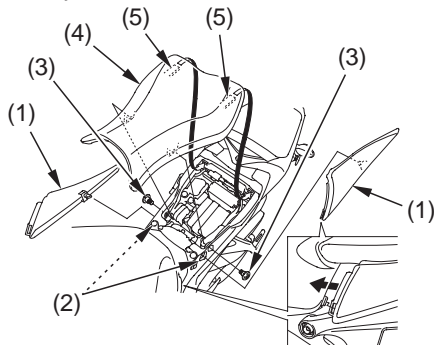


Seat Removal

Refer to *Safety Precautions* on page 92 .

Front Seat Removal

The front seat must be removed for battery or fuse maintenance.



(1) side covers
(2) grommets
(3) screws

(4) front seat
(5) prongs

Removal:

1. To remove the right and left side covers (1), release the tabs from the guides, and carefully pull the cover out from the grommets (2).

The right and left side covers can be removed in the same manner.

2. Remove the screws (3), and then pull the front seat (4) forward and up.

Installation:

1. Insert the prongs (5) into the seat hooks and tighten the mounting bolts securely.
2. Insert the tabs into the guides, and align the side covers prong with the rubber grommets.