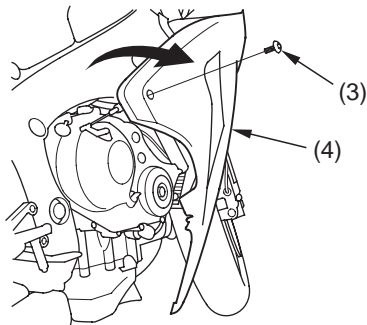


Engine Oil & Filter

Install a New Oil Filter:

6. Remove the screw (3) on the right middle cowl (4) and pull it outwards.

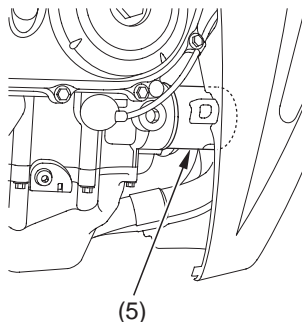
RIGHT SIDE



- (3) screw
- (4) middle cowl

7. Remove the oil filter (5) with a filter wrench and let the remaining oil drain out. Discard the oil filter in an approved manner (page 188).

RIGHT SIDE



- (5) oil filter