

# Battery

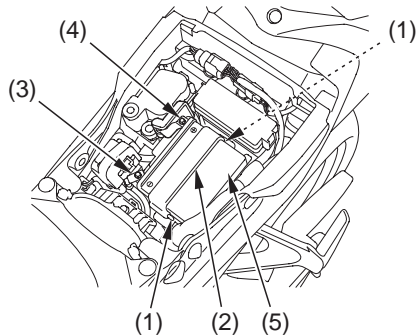
---

The battery is located in the battery box below the front seat.

## Removal

1. Make sure the ignition switch is OFF.
2. Remove the front seat (page 109).
3. Release the rings (1) and remove the rubber band (2).
4. Disconnect the negative (−) terminal lead (3) from the battery first, then disconnect the positive (+) terminal lead (4).
5. Pull the battery (5) out of the battery box.

## UNDER FRONT SEAT (CBR1000RR)



- (1) rings
- (2) rubber band
- (3) negative (−) terminal lead
- (4) positive (+) terminal lead
- (5) battery