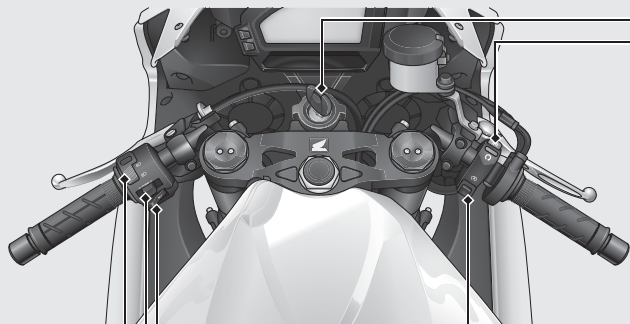


# Switches





**Horn button**




**Turn signal switch**


- ▶ Pressing the switch turns the turn signal off.

**Headlight dimmer switch**

-  D: High beam
-  D: Low beam

**Engine stop switch**

Should normally remain in the RUN  position.

- ▶ In an emergency, switch to the OFF  position to stop the engine.



**Start/lap button**

Headlight turns off when operating the starter motor. Also use lap timer 