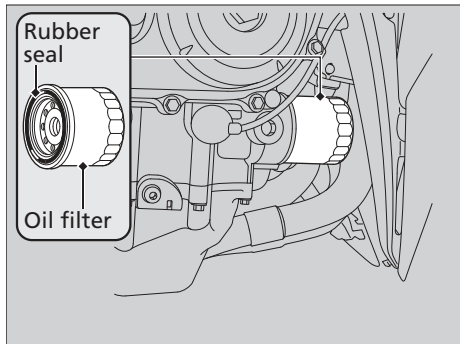


- Remove the oil filter with a filter wrench and let the remaining oil drain out. Make sure the prior seal is not stuck to the engine.

► Discard the oil and oil filter at an approved recycling center.



- Apply a thin coat of engine oil to the rubber seal of a new oil filter.
- Install a new oil filter and tighten.

**Torque:** 19 lbf·ft (26 N·m, 2.7 kgf·m).

- Install a new sealing washer onto the drain bolt. Tighten the drain bolt.

**Torque:** 22 lbf·ft (30 N·m, 3.1 kgf·m).

- Fill the crankcase with the recommended oil (► P. 58) and install the oil fill cap.

#### Required oil

##### When changing oil & engine oil filter:

3.2 US qt (3.0 liters)

##### When changing oil only:

3.0 US qt (2.8 liters)

- Check the oil level. ► P. 70
- Check that there are no oil leaks.
- Install the lower fairing.