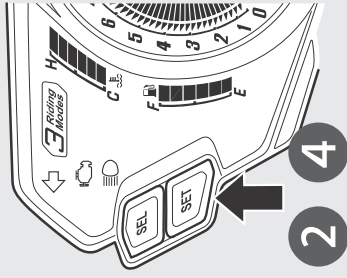
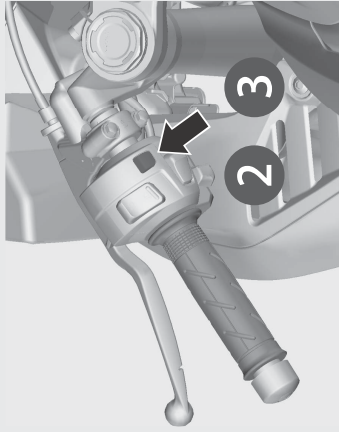


Measurement of lap time



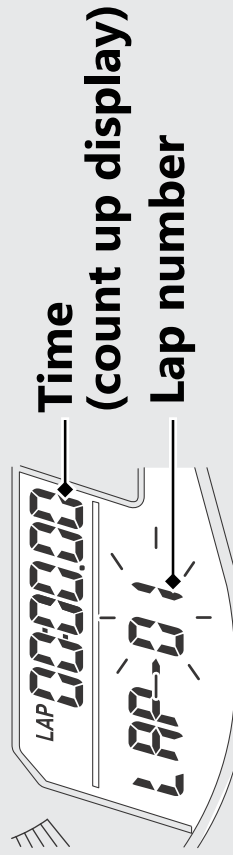
SET button



LAP button

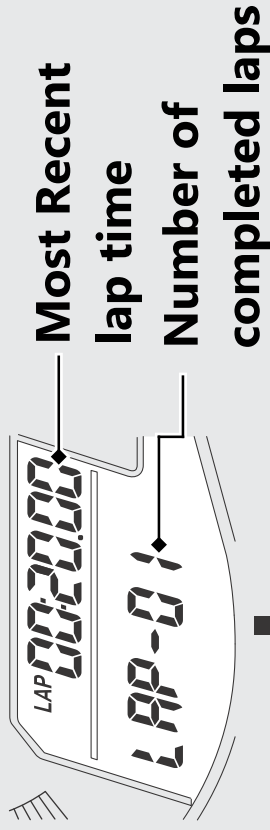
- 1 Switch the display to the lap time mode.
←P.30
- 2 Press **SET** button or **LAP** button then start measuring.

While measuring 1 lap

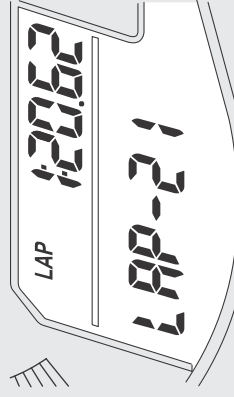


- 3 Press **LAP** button at each lap.

In completion of 1 lap



In completion of 21 laps



- 4 Press **SET** button to end the measurement.
 - ▶ During the measurement, switching to other modes is not available.