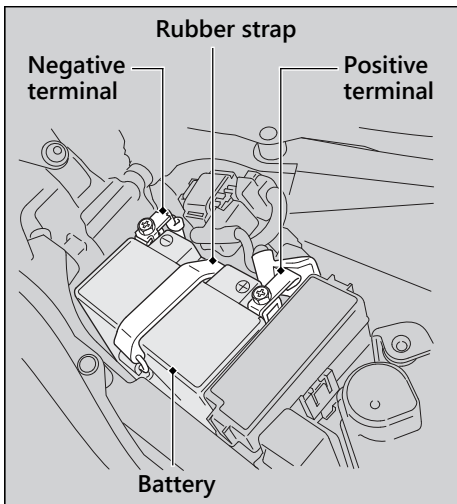


Battery



Removal

Make sure the ignition switch is in the OFF position.

1. Remove the front seat. ➤ P. 53
2. Unhook the rubber strap.
3. Disconnect the negative \ominus terminal from the battery.
4. Disconnect the positive \oplus terminal from the battery.
5. Remove the battery taking care not to drop the terminal nuts.

Installation

Install the parts in the reverse order of removal. Always connect the positive \oplus terminal first. Make sure that bolts and nuts are tight. Make sure the clock information is correct after the battery is reconnected. ➤ P. 21 For proper handling of the battery, see "Maintenance Fundamentals." ➤ P. 41 "Battery Goes Dead." ➤ P. 95