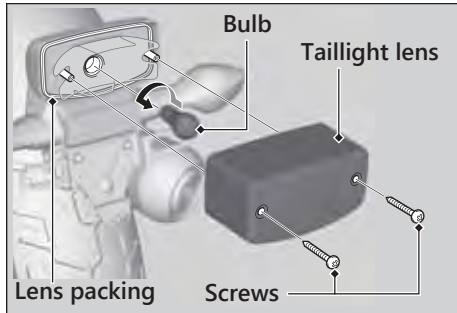
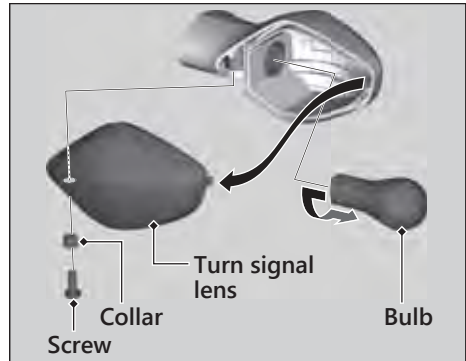


Brake Light/Taillight Bulb



1. Remove the taillight lens by removing the screws.
2. Slightly press the bulb in and turn it counterclockwise.
3. Install a new bulb and the parts in the reverse order of removal.
 - u After putting the lens packing back in place, install the taillight lens.

Front/Rear Turn Signal Bulb



1. Remove the screw and collar.
2. Remove the turn signal lens.
3. Slightly press the bulb and turn it counterclockwise.
4. Install a new bulb and the parts in the reverse order of removal.