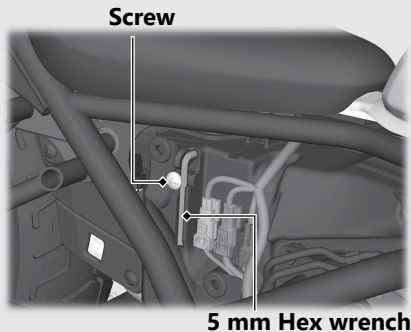


# Storage Equipment

## Tool Kit

The 5 mm Hex wrench is stored behind the right side cover.

To remove the 5 mm Hex wrench, loosen the screw with a coin.

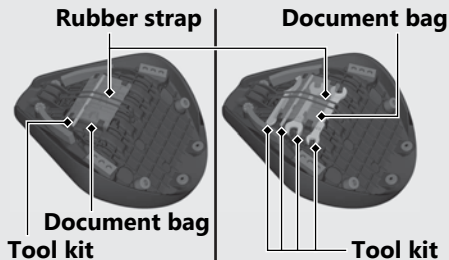


The tool kit is stored on the underside of the seat.

Store the tool kit with the document bag, and secure them with the rubber strap.

USA model

Canada model



## Removing the Right Side Cover

➔ P.68

Removing the Seat ➔ P.67