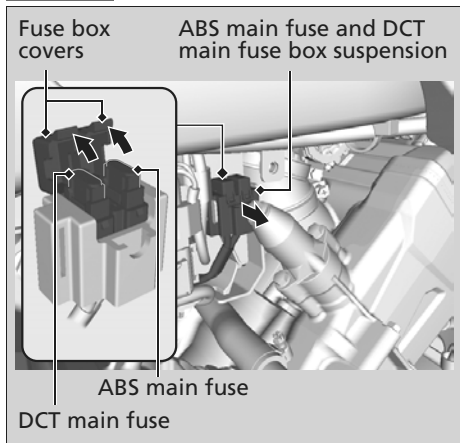


ABS Main Fuse & DCT Main Fuse

CRF1000D



1. Remove the battery box cover. 2 P. 97
2. Pull the ABS main fuse and DCT main fuse box suspension out.
3. Open the fuse box covers.
4. Pull the ABS main fuses and DCT main fuse out one by one with the fuse puller in the tool kit and check for a blown fuse. Always replace a blown fuse with a spare fuse of the same rating.
 - u Spare main fuse is provided in the starter magnetic switch.
5. Reinstall parts in the reverse order of removal.

NOTICE

If a fuse fails repeatedly, you likely have an electrical problem. Have your motorcycle inspected by your dealer.