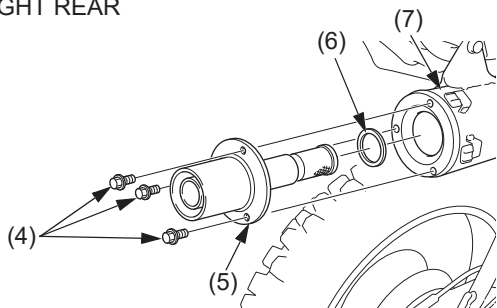


# Spark Arrester

---

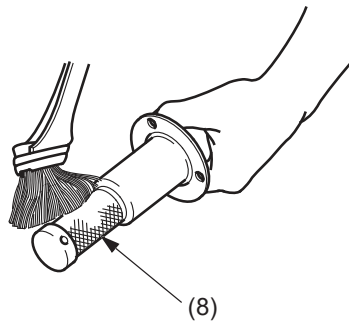
RIGHT REAR



- |                    |             |
|--------------------|-------------|
| (4) bolts          | (6) gasket  |
| (5) spark arrester | (7) muffler |

4. Remove the bolts (4), the spark arrester (5), and the gasket (6) from the muffler (7).

5. Use a brush to remove carbon deposits from the spark arrester screen (8). Be careful to avoid damaging the spark arrester screen. The spark arrester must be free of breaks and holes. Replace, if necessary.



(8) spark arrester screen