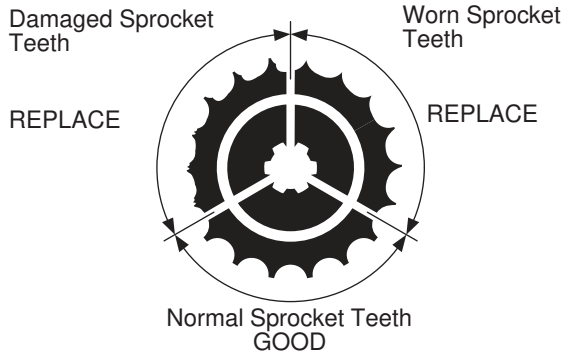


6. Inspect the front and rear sprocket teeth for excessive wear or damage. If necessary, have your dealer replace a worn sprocket.

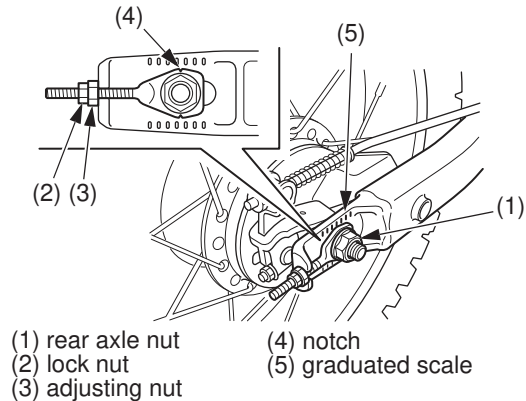


## NOTICE

*Use of a new chain with worn sprockets will cause rapid chain wear.*

## Adjustment

RIGHT SIDE



- (1) rear axle nut  
(2) lock nut  
(3) adjusting nut  
(4) notch  
(5) graduated scale

1. Loosen the rear axle nut (1).
2. Loosen the lock nuts (2) on both sides of the swingarm.

(cont'd)